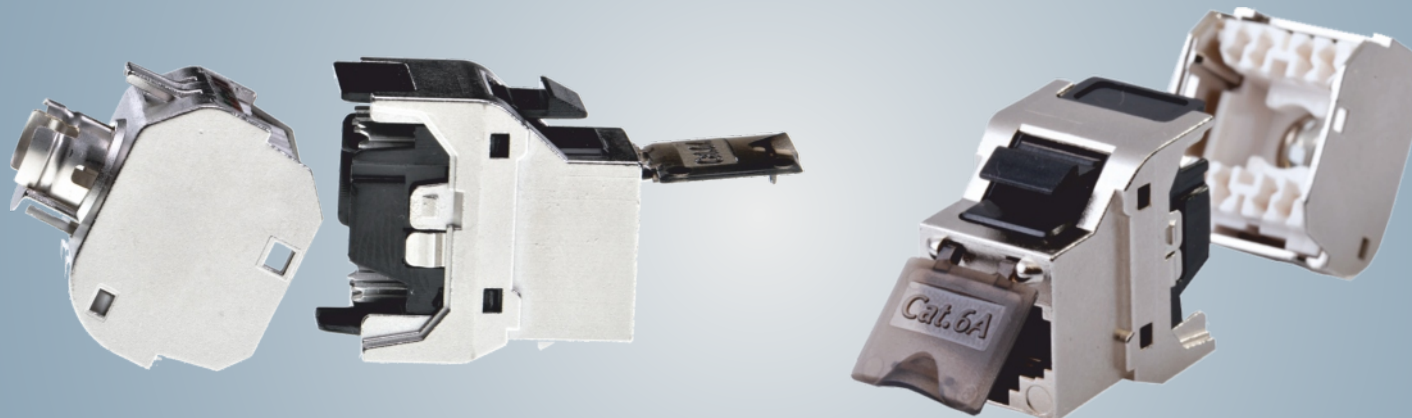


Keystone RJ45-Jack C6AS4

Cat.6A Class E_A shielded /toolless



PRODUCT DESCRIPTION

Shielded Cat. 6A Keystone RJ45-Jack with zinc alloy di-casting housing. Most suitable for Voice, Video and Data-Applications of class E_A/ 500MHz up to 10 GbE. With integrated dust cover and suitable for industrial applications. Toolless assembly .

DATA PERFORMANCE

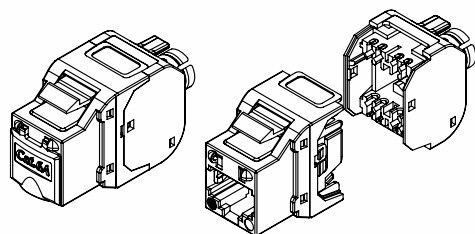
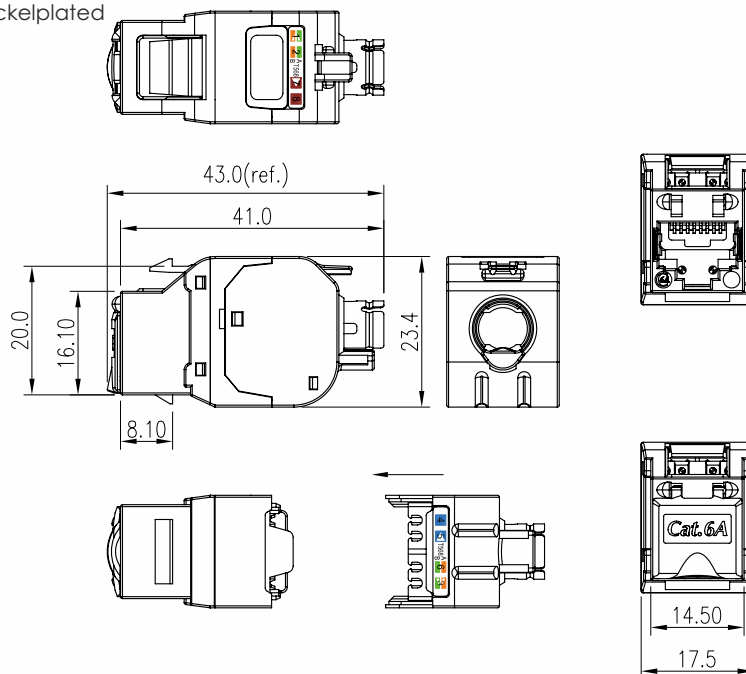
Cat.6A 500MHz 10 GbE / (EIA/TIA) / Class E_A (ISO/IEC)

VALID NORMS

EN 50173 2.Edition, Class E_A
 ISO/IEC 11801 AM1 und AM2, Class E_A
 EIA/TIA 568 C.2 Cat.6A

CONSTRUCTION

Measurements	2,4x1,8x3,9 cm (HxWxD)
Housing	Zinc di-casting housing, nickelplated
Cable acceptance	AWG 23-24
PCB	FR4, UL-94V0
Contacts	50μ gold plated
Tension	30≤N
Insertion Cycle	min. 750
Assembly cycle	max. 10
Isolation resistance	500mΩ
Contact resistance	≤20mΩ
Max. ampacity	1,5 Amps
Operation Temperature	-40° bis 70°C



ORDERING INFORMATION

Type number	20310
Item description	C6AS4 Keystone Modul Cat.6A shielded with dust cover