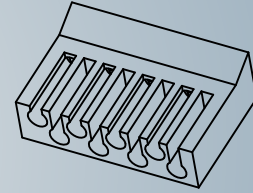
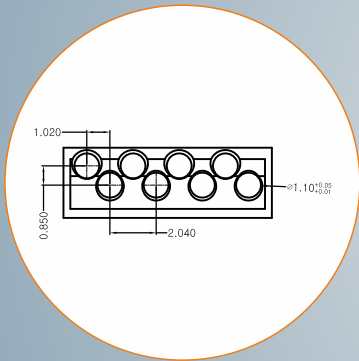


Cat.6 modular RJ45-Plug

Cat.6 unshielded



PRODUCT DESCRIPTION

Unshielded Cat.6 RJ45 plug with 30µ gold plated contact and wire manager(8P8C). This high-quality plug offers an excellent electrical value and is suitable for High-Speed data transfer up to 1 GbE.

DATA PERFORMANCE

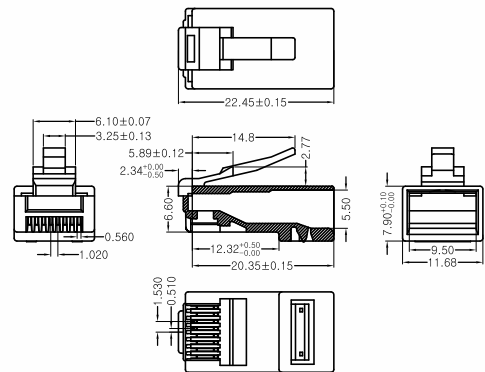
Cat.6 250 MHz 1 GbE / (ISO/IEC)

VALID NORMS

EN 50173 2.Edition
ISO/IEC 11801 AM1 und AM2
EIA/TIA 568 C.2 Cat.6
IEC 60607-7-4

CONSTRUCTION

Cross housing	plastic housing
Contacts	30µ gold plated
Cable acceptance	AWG 24-26 stranded
Tension	30≤N
Insertion cycle	min. 750
Isolation resistance	500mΩ
Contact resistance	≤20mΩ
Max. ampacity	1,5 Amps
Operation temperature	-40° bis 70°C



ORDERING INFORMATION

Type number	20409
Item description	Cat.6 unshielded modular RJ45 Plug
Packaging unit	500 pcs. incl. wire manager

ORDERING INFORMATION AIXONTEC® S-Boot

Type number	20504
Item description	AIXONTEC® S-Boot
Packaging unit	min. 10 pcs.

Black	20504.BK	Green	20504.GN
Red	20504.RD	White	20504.WI
Orange	20504.OR	Purple	20504.PU
Yellow	20504.YL	Grey	20504.GR



Crimping Tool

Type number	21006
Item description	Universal Crimping tool für modular Plug
Packaging unit	1 piece

