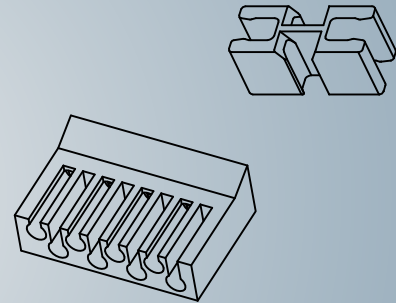
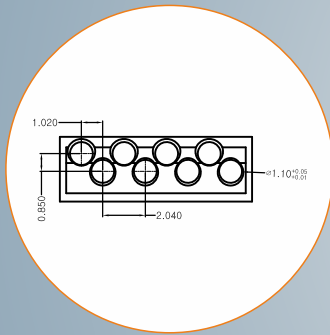


Cat.6A modular RJ45-Plug

Cat.6A unshielded



PRODUCT DESCRIPTION

Unshielded Cat.6A RJ45 plug with 30μ gold plated contact and wire manager(8P8C). This high-quality plug offers an excellent electrical value and is suitable for High-Speed data transfer up to 10 GbE.

DATA PERFORMANCE

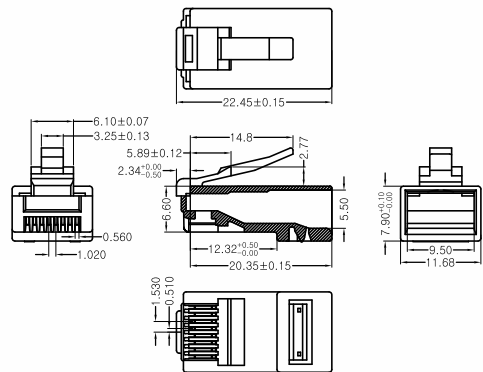
Cat.6A 500MHz 10 GbE / (ISO/IEC)

VALID NORMS

EN 50173 2.Edition
ISO/IEC 11801 AM1 und AM2
EIA/TIA 568 C.2 Cat.6
IEC 60607-7-51

CONSTRUCTION

Cross housing	nickel plated
Contacts	30μ gold plated
Cable acceptance	AWG 24-26 stranded
Tension	30≤N
Insertion cycle	min. 750
Isolation resistance	500mΩ
Contact resistance	≤20mΩ
Max. ampacity	1,5 Amps
Operation temperature	-40° bis 70°C



ORDERING INFORMATION Cat.6A unshielded RJ45-plug

Type number	20410
Item description	Cat.6A unshielded modular RJ45 plug
Packaging	500 pcs. incl. wire manager

ORDERING INFORMATION AIXONTEC® S-Boot

Type number	20504
Item description	AIXONTEC® S-BOOT
Packaging Unit	min. 10 PCS:

Black	20504.BK	Green	20504.GN
Red	20504.RD	White	20504.WI
Orange	20504.OR	Purple	20504.PU
Yellow	20504.YL	Grey	20504.GR



Crimping Tool

Type number	21006
Item description	Universal crimping tool for modular plug
Verpackungseinheit	1 piece

